

# The Family Stress Model: A Comparison between Rural and Urban Korean Families

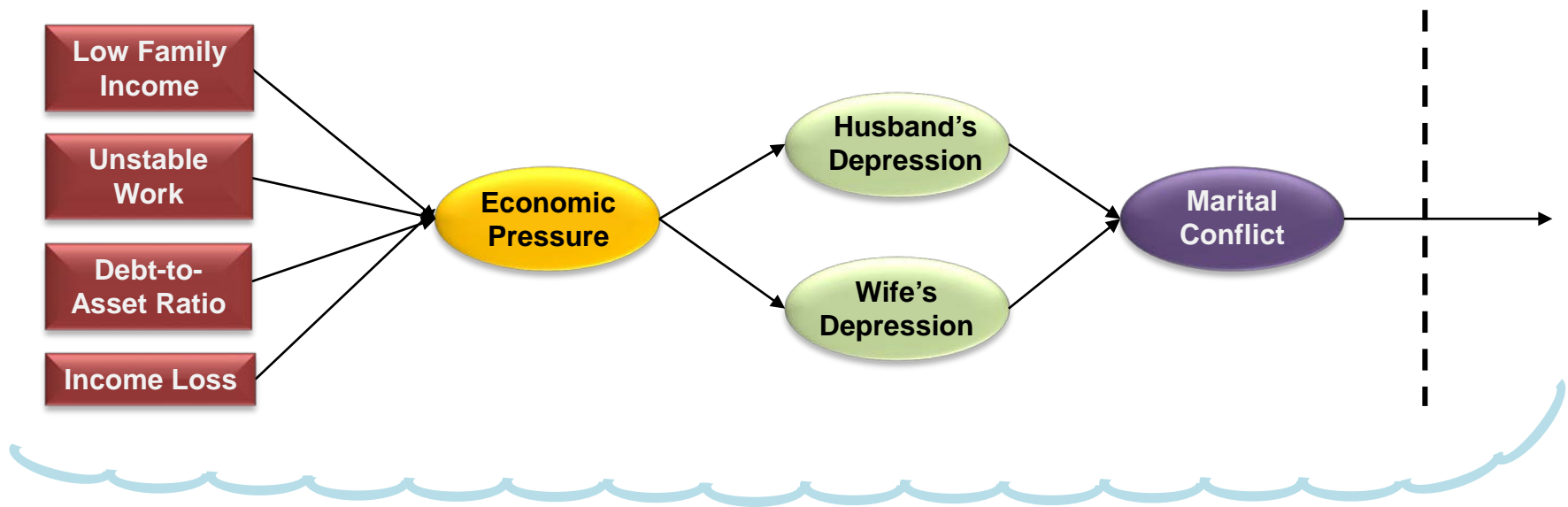


**November 15 2017**

**Chanran Seo\*, Ph.D.** (Daegu National University of Education, S. Korea)

**Hyo-Youn Shin, Ph.D.** (Chonnam National University, S. Korea)

# Motivation for Research



## Previous Research

- Conger et al., 1992
- Conger, Rueter, & Elder, 1999
- Solantaus & Leinonen, 2004
- Mistry et al., 2008
- Aytac & Rankin, 2009
- Falconier, 2010
- Landers-Potts et al., 2015

**Family Stress Model (Conger & Elder, 1994)**

The diagram shows a computer monitor with a black frame and a silver base. The screen displays the text 'Family Stress Model (Conger & Elder, 1994)'. Two grey arrows point outwards from the monitor, one to the left and one to the right, towards the 'Previous Research' and 'Korean Research' boxes respectively.

## Korean Research

- 1) Kwon, Rueter, Lee, Koh, & Ok, 2003
- 2) Kwon, 2009
- 3) Kim & Kim, 2011

# Overarching Question



**Does the stress process in the family stress model vary across rural and urban Korean families?**

# Distinctive Characteristics in Rural Areas of Korea

1 The rate of the population over the age of 65: 38.5%

In 2015

2 The average income in agriculture and fishery : 57% of that of city workers in 2012

3 Mental Health: Elderly people at greater risk of depression than counterparts (Kang & Park, 2012)

4 Less satisfied with family relations than counterparts (Lee, 2002)

5 More conservative attitude toward divorce (Han & Lee, 2002)

&  
Held the idea of predominance of men over women (Ok,

# Method

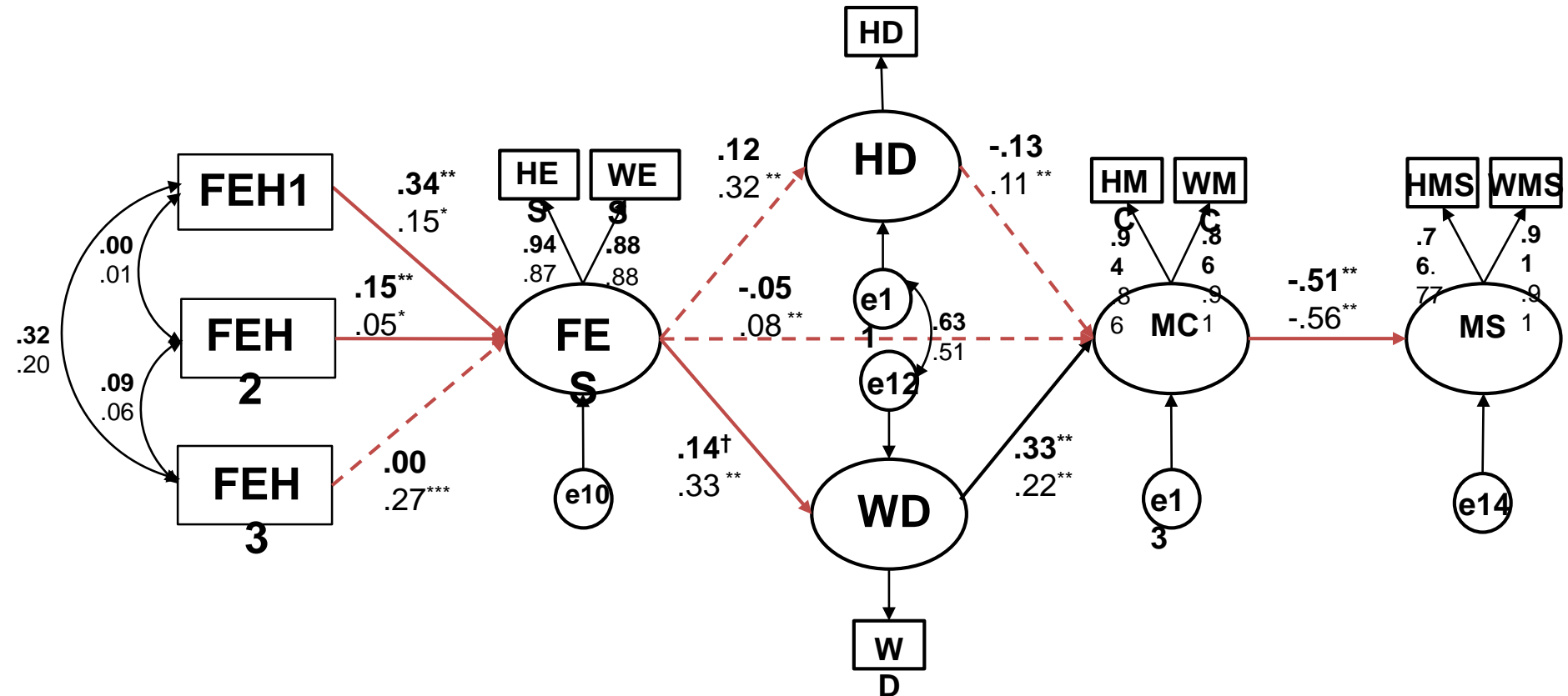
## Data & Analytic Sample

- Data from the Korean Welfare Panel Study (KWPS)
- Using the 10<sup>th</sup> Wave collected in 2015
- 2,776 families: 325 rural families & 2,451 urban families

## Analysis

- Multi-group analysis, using AMOS 21.0 software

# Results & Conclusion



**Note.** Results for rural families are in bold

**FEH1 = family per capita income; FEH2 = debts to assets ratio; FEH3 = optimal annual spending costs to actual annual spending costs ratio;**

**FES = Family Economic Strain;**

**HD = Husbands' Depression; WD = Wives' Depression;**

**MC = Marital Conflict; MS = Marital Satisfaction**

# Discussion Question

## Question 1.

Considering the results regarding gender, is  
“One” model  
including both of husbands’ and wives’  
depression, and  
latent variables measured by couple indicators